

RainSelect

Basic set for 2 functions

Surfaces: n.a. Article Number: **15310180**



Description

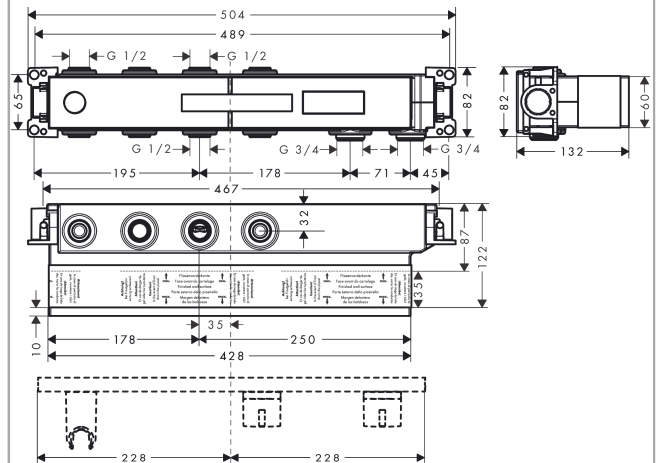
product features

- 2 functions
- connection thread Rp 3/4
- installation depth: 87 - 122 mm
- horizontal installation
- sound-decoupled installation
- connection dimension: DN15/DN20

Product image



Scale drawing

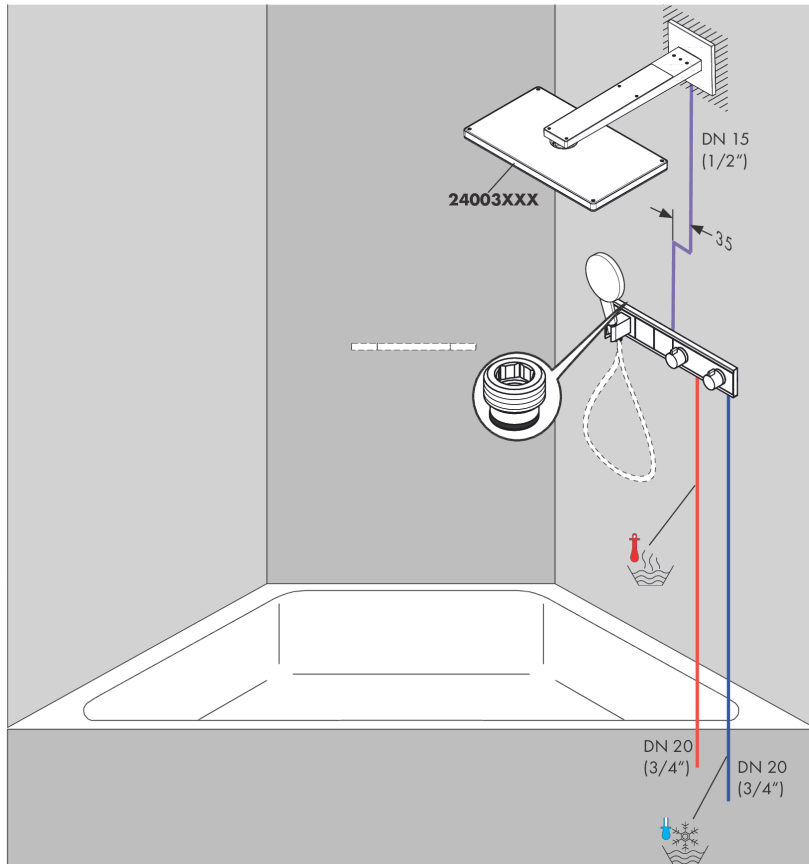
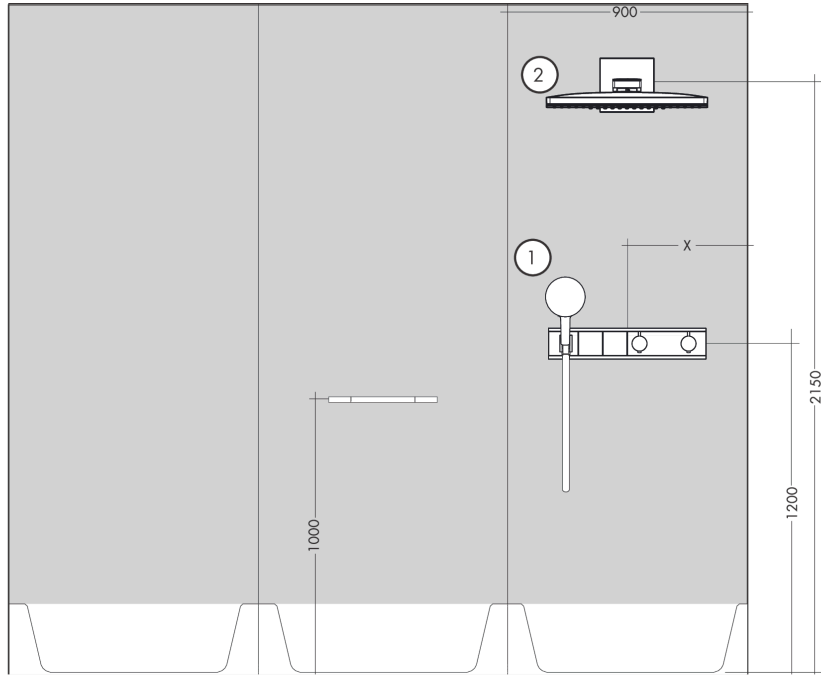
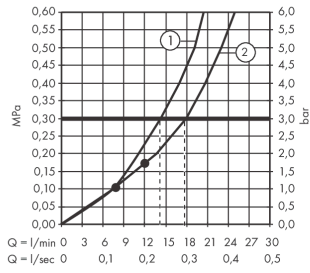


RainSelect
Basic set for 2 functions
 Surfaces: n.a. Article Number: **15310180**



Installation examples

RainSelect
 1531018X / 15355XXX

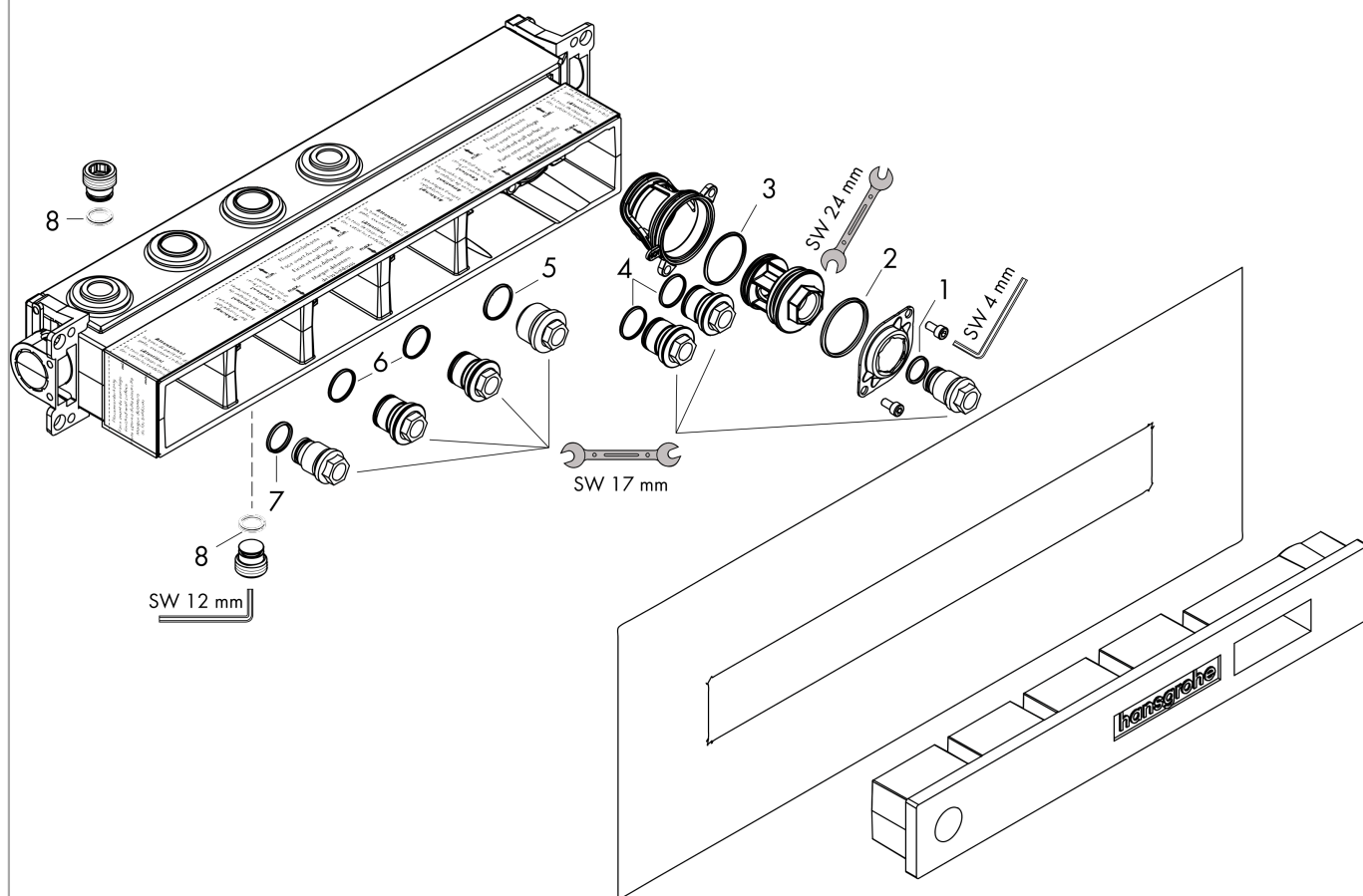


RainSelect
Basic set for 2 functions
 Surfaces: n.a. Article Number: **15310180**



Exploded Drawing

Year of production: >10/17



RainSelect

Basic set for 2 functions

Surfaces: n.a. Article Number: **15310180**



Spare part list

Year of production: >10/17

| Pos. | Description | Article Number | Price | PU |
|------|-------------------|----------------|-------|----|
| 1 | O-ring 15x2,5 | 98131000 | - | 1 |
| 2 | O-ring 38x2,5 | 98198000 | - | 1 |
| 3 | O-ring 34x2 | 98383000 | - | 1 |
| 4 | O-ring 20x2 | 98165000 | - | 1 |
| 5 | O-ring 21,95x1,78 | 95169000 | - | 1 |
| 6 | O-ring 20x1,5 | 98197000 | - | 1 |
| 7 | O-ring 18x2 | 98181000 | - | 1 |
| 8 | O-ring 13x2 | 98128000 | - | 1 |
| a | extension 25 mm | 93432000 | - | 1 |